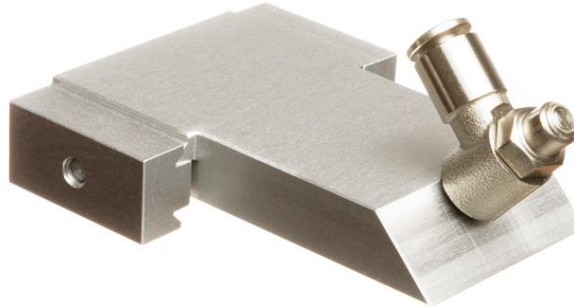


## Air blow for enclosures CH50

### Datasheet v1



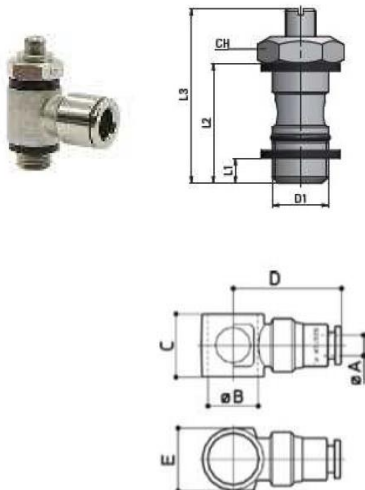
- Body made of anodized aluminum surface,
- throttle valve SV-KNS-M5 0-10bar,
- input hole for push-in plastic pipe air supply 4mm max 10bar.

#### Material properties

<b>Body</b>	Anodised Aluminium
<b>Throttle valve</b>	Nickel plated brass
<b>Seal of throttle valve</b>	NBR

#### Dimensions, environment

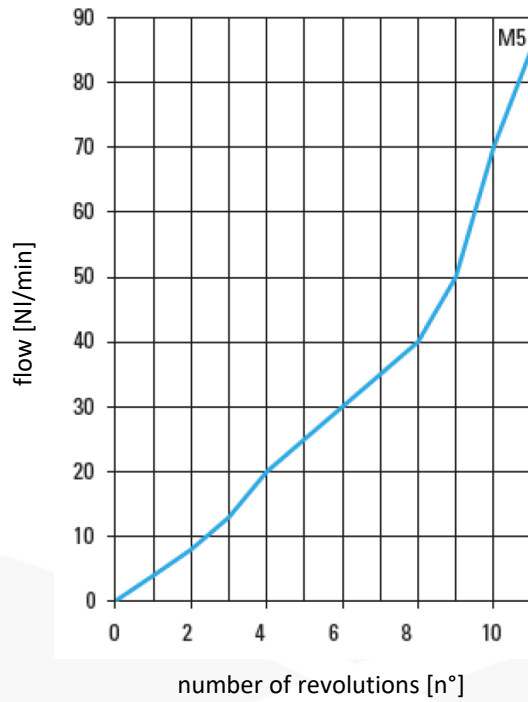
<b>External dimensions</b>	50 x 72 x 34 mm
<b>Throttle valve thread</b>	M5x4
<b>hole for push-in pipe air supply</b>	Ø 4mm
<b>Tightening torque for M5</b>	1,5 Nm



D1	L1	L2	L3 max	CH	g 
M5x0,8	4	16	25	8	5

A	B	C	D	E	F	G	CH	CH1	GR
4	5.2-M5	9	19	9			8		8

Dependence of the throttle valve on the revolutions



Installation with cover CH50.DIA35

